

BREMA RB100

ICE STORAGE BIN WITH TROLLEY

The RB100 is a stainless steel structure with a 108kg capacity polyethylene moulded trolley for transporting ice flakes.

When coupled with an ice flake head, the RB100 generously stores ice to meet peak demand times for a range of applications.

Can be coupled with: G250/500



STANDARD FEATURES

- 108kg storage capacity
- Can be coupled with a range of Brema modular ice machine heads
- Stainless steel structure
- Polyethylene moulded trolley

SPECIFICATIONS ARE SUBJECT TO CHANGE WITHOUT NOTICE.

from the world of Comcater!

National Head Office
156 Swann Drive
Derrimut VIC 3030
Tel: +61 3 8369 4600
Fax: +61 3 8369 4695

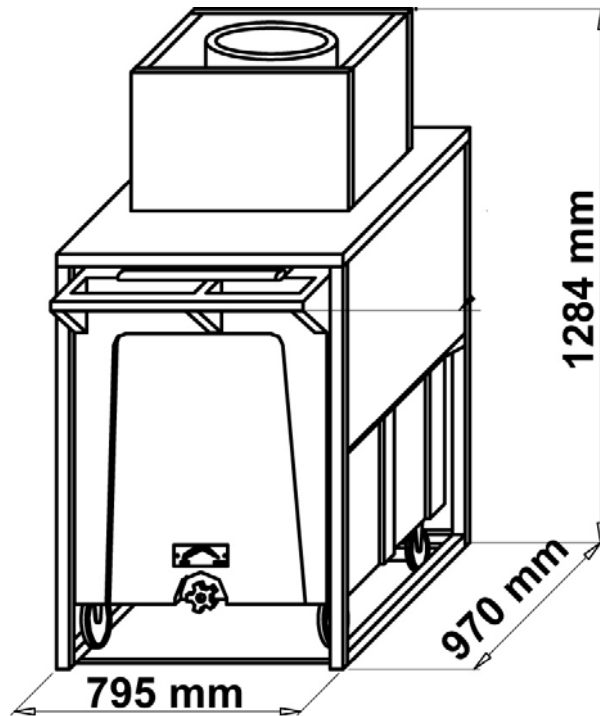
Melbourne
96-100 Tope Street
South Melbourne VIC 3205
Tel: +61 3 8369 4600
Fax: +61 3 8699 1299

Sydney
20/4 Avenue of the Americas
Newington, NSW 2127
Tel: +61 2 9748 3000
Fax: +61 2 9648 4762

Brisbane
1/62 Borthwick Avenue
Murarrie QLD 4172
Tel: +61 7 3399 3122
Fax: +61 7 3399 5311

Perth
Unit 4/35 Westchester Road
Malaga WA 6090
Tel: +61 8 9248 9290
Fax: +61 8 9248 1903

BREMA RB100



DIMENSIONS

795W x 1060D x 1284H mm

USABLE WITH MODULAR HEADS

G250/500

CONNECTION

24mm Water outlet

TECHNICAL DATA

Storage Capacity	108 Kg	
Weight	64 kg	
Clearances	Rear:	Sides:
	100 mm	100 mm

STANDARD ACCESSORIES

- Drainage hose
- Plastic Ice Scoop

SPECIFICATIONS ARE SUBJECT TO CHANGE WITHOUT NOTICE.



www.comcater.com.au

PROUDLY DISTRIBUTED BY: