

## BREMA DRB100

### ICE STORAGE BIN WITH TROLLEYS

The DRB100 is a stainless steel structure with two 108kg capacity polyethylene moulded trolleys for transporting ice cubes or flakes.

When coupled with a modular head, the DRB100 generously stores ice to meet peak demand times for a range of applications.

Can be coupled with: VM500/900, G250/500, G250/500 (x2), M350/600.



### STANDARD FEATURES

- 108kg storage capacity per trolley
- Can be coupled with a range of Brema modular ice machine heads
- Stainless steel structure
- Polyethylene moulded trolleys

SPECIFICATIONS ARE SUBJECT TO CHANGE WITHOUT NOTICE.

*from the world of Comcater!*

**National Head Office**  
156 Swann Drive  
Derrimut VIC 3030  
Tel: +61 3 8369 4600  
Fax: +61 3 8369 4695

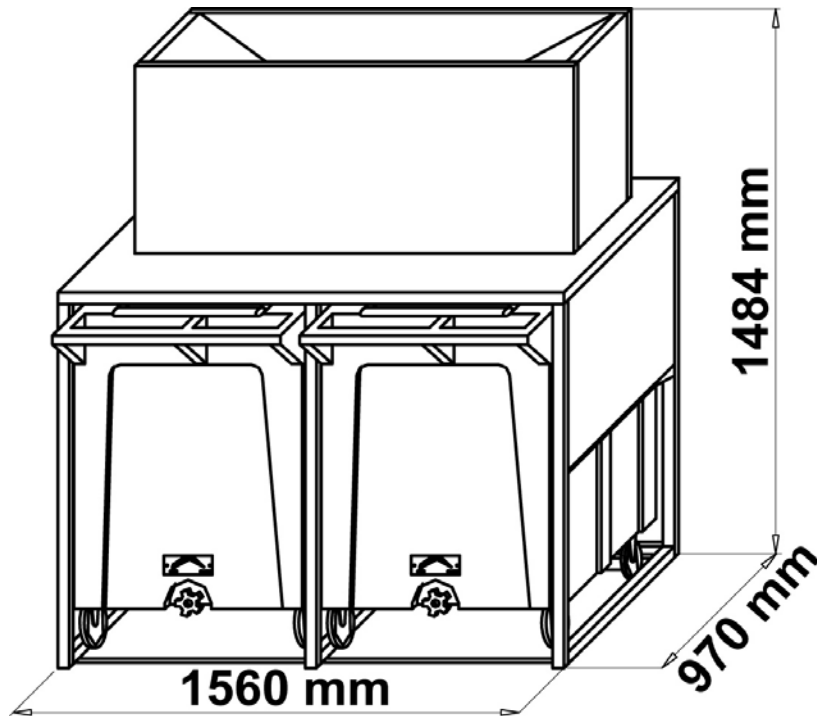
**Melbourne**  
96-100 Tope Street  
South Melbourne VIC 3205  
Tel: +61 3 8369 4600  
Fax: +61 3 8699 1299

**Sydney**  
20/4 Avenue of the Americas  
Newington, NSW 2127  
Tel: +61 2 9748 3000  
Fax: +61 2 9648 4762

**Brisbane**  
1/62 Borthwick Avenue  
Murarrie QLD 4172  
Tel: +61 7 3399 3122  
Fax: +61 7 3399 5311

**Perth**  
Unit 4/35 Westchester Road  
Malaga WA 6090  
Tel: +61 8 9248 9290  
Fax: +61 8 9248 1903

# BREMA DRB100



## DIMENSIONS

1560W x 1060D x 1484H mm

## USABLE WITH MODULAR HEADS

VM500/900, G250/500, G250/500 (x2)  
M350/600

## CONNECTION

24mm Water outlet

## TECHNICAL DATA

Storage Capacity	108 Kg	
Weight	135 kg	
Clearances	Rear:	Sides:
	100 mm	100 mm

## STANDARD ACCESSORIES

- Drainage hose
- Plastic Ice Scoop

SPECIFICATIONS ARE SUBJECT TO CHANGE WITHOUT NOTICE.



www.comcater.com.au

PROUDLY DISTRIBUTED BY: