

BREMA BIN550 V DS

ICE STORAGE BIN

Stainless steel storage bin which sits underneath a range of Brema modular ice machine heads.

The BIN550 V DS stores 550kg of ice and has an insulated polyethylene moulded tank to ensure long-lasting, quality ice.

When coupled with an ice flake head, the BIN550 V DS generously stores ice to meet peak demand times for a range of applications.

Can be coupled with: G250/500 (x2), G1000, M350/600, M800, M1500.



STANDARD FEATURES

- 550kg storage capacity
- Can be coupled with a range of Brema modular ice machine heads
- Hospital grade stainless steel outer
- Polyethylene moulded tank for insulation
- Two piano-hinged doors

SPECIFICATIONS ARE SUBJECT TO CHANGE WITHOUT NOTICE.

from the world of Comcater!

National Head Office
156 Swann Drive
Derrimut VIC 3030
Tel: +61 3 8369 4600
Fax: +61 3 8369 4695

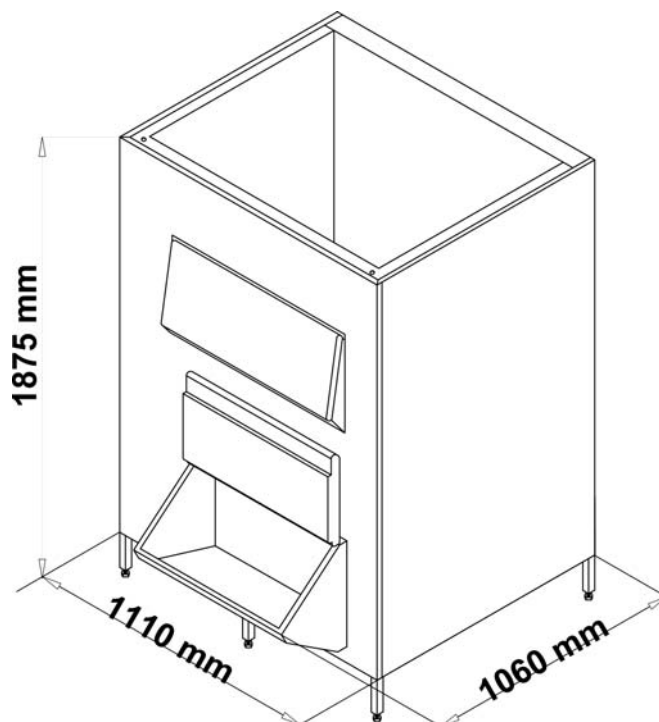
Melbourne
96-100 Tope Street
South Melbourne VIC 3205
Tel: +61 3 8369 4600
Fax: +61 3 8699 1299

Sydney
20/4 Avenue of the Americas
Newington, NSW 2127
Tel: +61 2 9748 3000
Fax: +61 2 9648 4762

Brisbane
1/62 Borthwick Avenue
Murarrie QLD 4172
Tel: +61 7 3399 3122
Fax: +61 7 3399 5311

Perth
Unit 4/35 Westchester Road
Malaga WA 6090
Tel: +61 8 9248 9290
Fax: +61 8 9248 1903

BREMA BIN550 V DS



DIMENSIONS

1110W x 1060D x 1975H mm
*(add 100-160mm for adjustable legs)

USABLE WITH MODULAR HEADS

G250/500 (x2), G1000, M350/600/800/1500

CONNECTION

24mm Water outlet

TECHNICAL DATA

Storage Capacity	550 Kg	
Weight	163 kg	
Clearances	Rear: 100 mm	Sides: 100 mm

STANDARD ACCESSORIES

- Drainage hose
- Plastic Ice Scoop

SPECIFICATIONS ARE SUBJECT TO CHANGE WITHOUT NOTICE.



www.comcater.com.au

PROUDLY DISTRIBUTED BY: