

BREMA BIN200

ICE STORAGE BIN

Stainless steel storage bin which sits underneath a range of Brema modular ice machine heads.

The BIN200 stores 200kg of ice and has an insulated polyethylene moulded tank to ensure long-lasting, quality ice.

When coupled with an ice cube or ice flake head, the BIN200 generously stores ice to meet peak demand times for a range of applications.

Can be coupled with: C150, VM350/500/900, G150/250/500.



STANDARD FEATURES

- 200kg storage capacity
- Can be coupled with a range of Brema modular ice machine heads
- Stainless steel 18/8 construction
- Polyethylene moulded tank for insulation
- Piano-hinged door

SPECIFICATIONS ARE SUBJECT TO CHANGE WITHOUT NOTICE.

from the world of Comcater!

National Head Office
156 Swann Drive
Derrimut VIC 3030
Tel: +61 3 8369 4600
Fax: +61 3 8369 4695

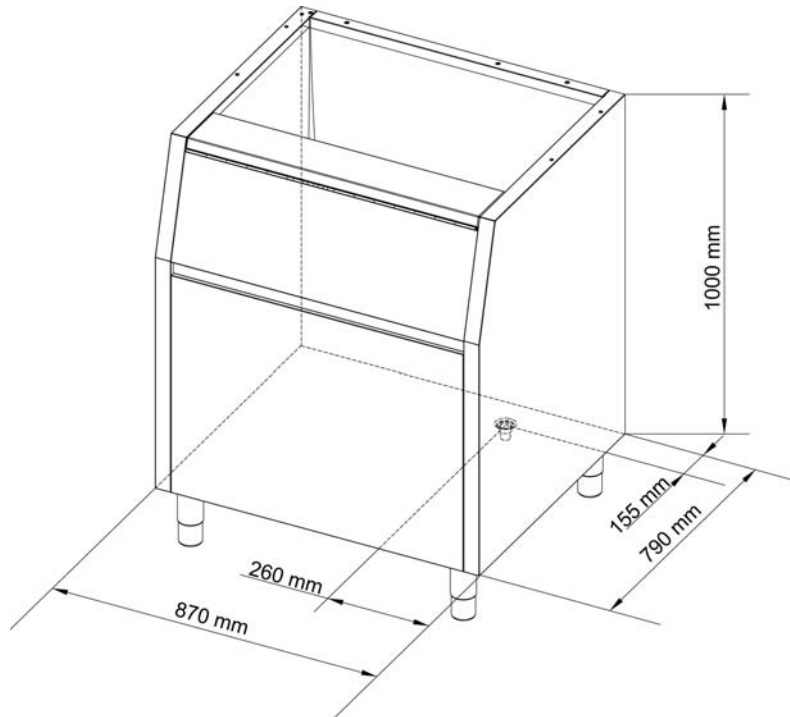
Melbourne
96-100 Tope Street
South Melbourne VIC 3205
Tel: +61 3 8369 4600
Fax: +61 3 8699 1299

Sydney
20/4 Avenue of the Americas
Newington, NSW 2127
Tel: +61 2 9748 3000
Fax: +61 2 9648 4762

Brisbane
1/62 Borthwick Avenue
Murarrie QLD 4172
Tel: +61 7 3399 3122
Fax: +61 7 3399 5311

Perth
Unit 4/35 Westchester Road
Malaga WA 6090
Tel: +61 8 9248 9290
Fax: +61 8 9248 1903

BREMA BIN200



DIMENSIONS

870W x 790D x 1000*H mm
*(add 100-160mm for adjustable legs)

USABLE WITH MODULAR HEADS

C80/150, VM350/500/900, G150/250/500

CONNECTION

24mm Water outlet

TECHNICAL DATA

Storage Capacity	200 Kg	
Weight	74 kg	
Clearances	Rear:	Sides:
	100 mm	100 mm

STANDARD ACCESSORIES

- Drainage hose
- Adjustable stainless steel legs (4)
- Plastic Ice Scoop

SPECIFICATIONS ARE SUBJECT TO CHANGE WITHOUT NOTICE.



www.comcater.com.au

PROUDLY DISTRIBUTED BY: