

Indigo® Series 1400 Ice Cube Machine

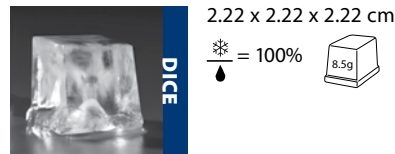
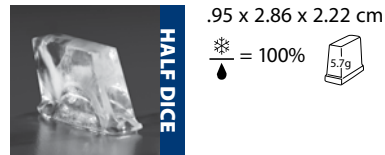
- 50Hz ID-1402A ID-1403W ID-1492N
 IY-1404A IY-1405W IY-1494N



Indigo Series i-1400
Ice Machine on B-970 Bin



- Easy Read Display
- Programmable Ice Production
- Easy to Clean Food Zone
- Intelligent Diagnostics
- Acoustical Ice Sensing Probe
- DuraTech™ Exterior
- Available LuminIce™ Growth Inhibitor



COMPANY WITH
QUALITY SYSTEM
CERTIFIED BY DNV
= ISO 9001:2008 =



Manitowoc Deutschland GmbH
Auf der Weih 11
35745 Herborn
Germany
Tel: 0 27 72 - 5805 0
Fax: 0 27 72 - 5805 70
E-mail: info@manitowoc-de.com
www.manitowoc-de.com

Manitowoc Foodservice Iberia, S.A.U.
C/ Textil, 6 Pol. Ind. La Ferreria
08110 Montcada i Reixac Barcelona
Barcelona Spain
Tel: (+34) 902 20 10 69
Fax: (+34) 93 348 15 09
E-mail: info@manitowocfsi.es
www.manitowocfsi.es

Manitowoc EMEA
www.manitowocice.com/emea

Manitowoc China
www.manitowoc.com.cn

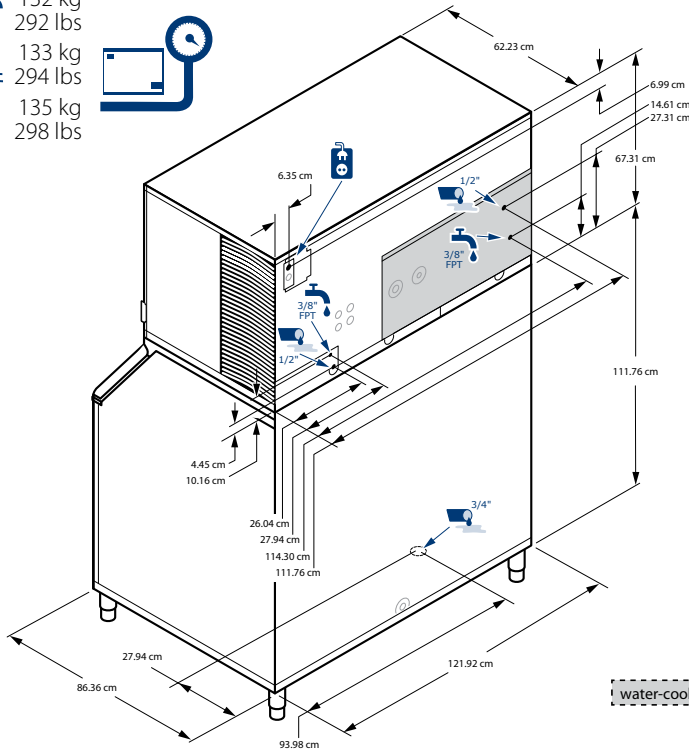
Manitowoc Latin America
www.manitowoclatam.com





i-1400 / B-970

- 132 kg
292 lbs
- 133 kg
294 lbs
- 135 kg
298 lbs



Minimum		Maximum
1.7°C 35°F		43.3°C 110°F
1.7°C 35°F		32.2°C 90°F
20psi 138 kPa		80psi 551 kPa
18.3		
16.9		
17.9		
		30 Amps

water-cooled only

Model	Compressor	Ice	24h		[kWh] – 100 kg	Water	
			21°/10°C 70°/50°F	32°/21°C 90°/70°F		[l/h]	[gal/h]
ID-1402A		8.5g	653 kg 1440 lbs	503 kg 1109 lbs	10.7	41.1	10.9
IY-1404A		5.7g	675 kg 1488 lbs	514 kg 1133 lbs	10.8	42.0	11.1
ID-1403W		8.5g	660 kg 1454 lbs	555 kg 1224 lbs	8.5	45.4	12.0
IY-1405W		5.7g	681 kg 1502 lbs	562 kg 1238 lbs	8.5	45.9	12.1
ID-1492N		8.5g	623 kg 1373 lbs	531 kg 1171 lbs	10.0	43.4	11.5
IY-1494N		5.7g	645 kg 1421 lbs	536 kg 1181 lbs	10.0	43.8	11.6

*Add "E" for WRAS approved models (ie. ID1402AE). WRAS models not NSF listed.

* This product is hermetically sealed and contains fluorinated greenhouse gas R404a

Manitowoc Deutschland GmbH
Auf der Weih 11
35745 Herborn
Germany
Tel: 0 27 72 - 5805 0
Fax: 0 27 72 - 5805 70
E-mail: info@manitowoc-de.com
www.manitowoc-de.com

Manitowoc Foodservice Iberia, S.A.U.
C/ Textil, 6 Pol. Ind. La Ferreria
08110 Montcada i Reixac Barcelona
Barcelona Spain
Tel: (+34) 902 20 10 69
Fax: (+34) 93 348 15 09
E-mail: info@manitowocfsi.es
www.manitowocfsi.es

Manitowoc EMEA
www.manitowocice.com/emea

Manitowoc China
www.manitowoc.com.cn

Manitowoc Latin America
www.manitowoclatam.com

4929C_50hz ©2014 Manitowoc 12/14
Specifications subject to change.

