

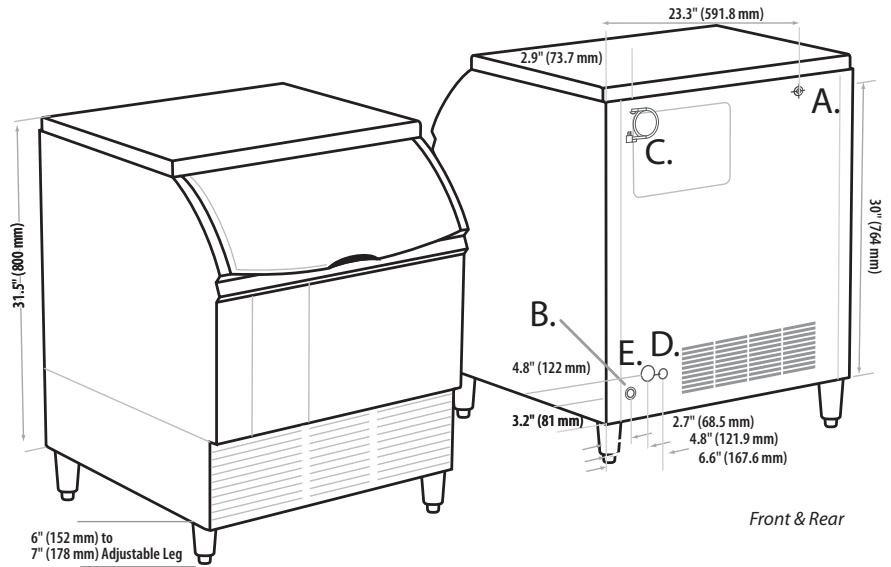
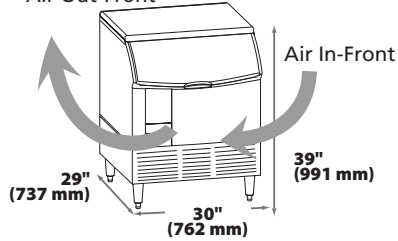
Ice-O-Matic®

ICEU300/305 Self Contained Cube Ice Maker

Air and Water Cooled

- A: Ice maker water in ¼" male flare.
- B: Bin and ice maker drain, ¾" FPT.
- C: Cord on HSV, hole on all others for electrical connections, 7/8".
- D: Condenser water in, ¾" FPT (water cooled units only).
- E: Condenser water out, ½" FPT (water cooled units only).

Air Out-Front



Operating Requirements

	Minimum	Maximum	
		60 Hz	50Hz
Ambient Temp. Range Air	50°F (10°C)	100°F (38°C)	110°F (43°C)
Water Temp.	40°F (4.4°C)	100°F (38°C)	110°F (43°C)
Water Pressure	20 PSIG (1.4 BAR)	60 PSIG (4.1 BAR)	

Dimensions

All Models	
W x D x H (inches)	30 x 29 x 39
W x D x H (mm)	762 x 737 x 991

Specifications

Model Number	Cond. Unit	Ice Production per 24hrs		Water Usage gallons per 100 lbs of Ice 90°F air/70°F water		kWH Used per 100 lbs of ice @ 90°F air/70°F water	Voltage Characteristics	Min. Circuit Ampacity	Fuse Size	Approx. BTUs per hour
		70°F air/50°F water lbs (kg)	90°F air/70°F water lbs (kg)	Potable	Condenser					
ICEU300A★	Air	309 (140)	228 (104)	32.9	-	8.6	115/60/1	13.1	15	5,928
ICEU300W	Water	356 (162)	296 (135)	35.6	175	5.7	115/60/1	11.1	15	6,097
ICEU305A	Air	299 (136)	223 (101)	30.8	-	7.7	220/240/50/1	6.6	16	5,392
ICEU305W	Water	314 (143)	267 (121)	33.9	145	5.4	220/240/50/1	8.3	16	5,353

NOTES:

Number of Wires: 3 (including ground)
 Approx. Shipping Weight lbs (kg): ICEU300A 206 (94) • ICEU300W 203 (92) • ICEU305A 206 (94) • ICEU305W 203 (92)
 Refrigerant Type: R404A

★ ENERGY STAR qualified machine.

Please see our website www.iceomatic.com for the latest list of ENERGY STAR qualified machines and available rebates