

CIB230 Storage Bin

Features



- **AUSTRALIAN MADE**
- Blown with environmentally friendly eco mate insulation.
- Storage Capacity 232kg.
- Polyurethane interior, stainless steel exterior.
- Dependable storage for either flake or cube ice.
- Non corrosive bin liner & molded plastic doors.
- Bin drains are located at the rear of the cabinet.
- Perfect-fit seal for improved ice preservation.
- Includes built-in scoop holder for hygienic storage of ice scoop.

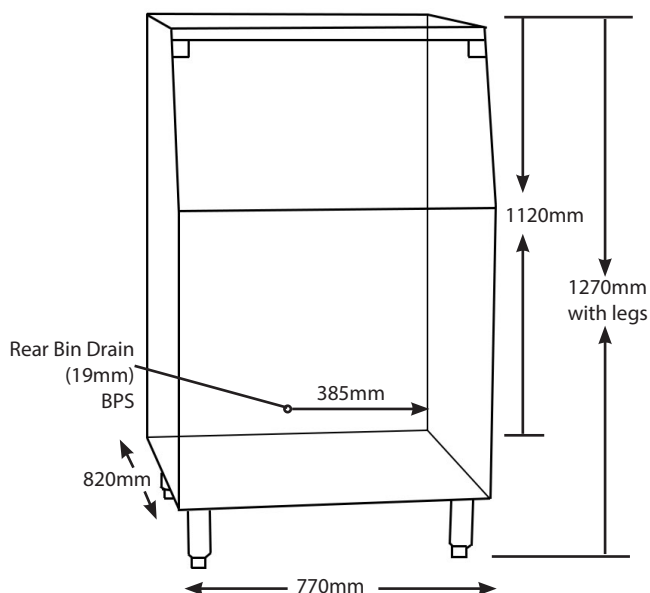
Ice Machines to Suit

ICE0305 - 1005, MF1805, 1255, Follett 400-1400

Dimensions

Model CIB230

W x D x H with legs (mm)
770 x 820 x 1270



Specifications

Model	Capacity (kg)	Weight (kg)	Ship Weight (kg)
CIB230	232	50	55